

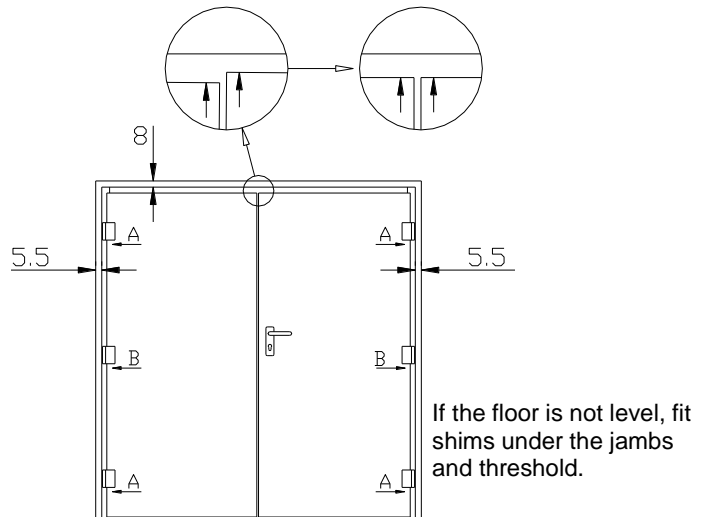
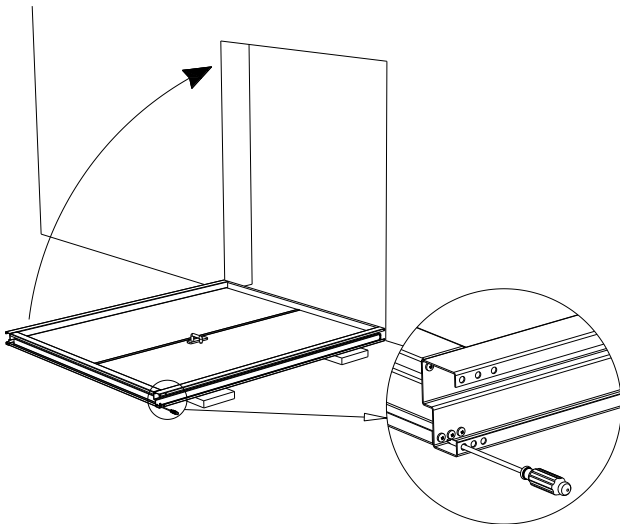
# Installation Instructions

## X15-2 double doorsets fitting into concrete walls



Tel 01522 693522  
www.doortechnik.co.uk

To install DoorTechnik X-series security doorsets correctly and safely, please read these instructions before starting the installation. To comply with the as-tested security certification, take particular note of the fitting clearances in Step 2, the minimum frame setback shown in Step 5, and the use of DoorTechnik approved frame fixings in Step 6 and Step 11.



**1.** Assemble the doorset in front of the opening.

Lay out the 2 door leaves on packaging bearers, then attach the frame head and threshold with 6 taptite screws to each corner.

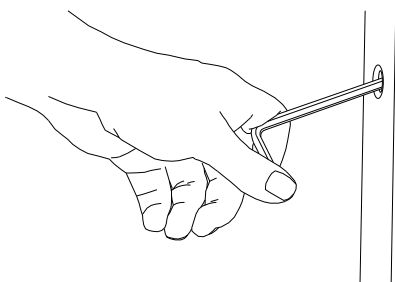
Ensuring all locks are fully engaged, lift the doorset up into position.

**Weight warning: comply with local manual handling guidelines.**

**2.** Align and grip the doorset in the opening, using the frame adjusting screws A in the corners, then the middle adjusters B.

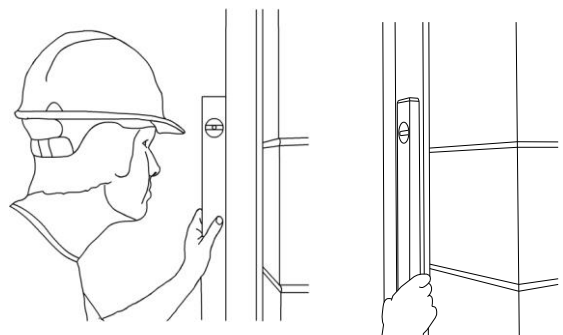
Note that when viewed from the pull side, the tops of the doors must be level with each other.

Note the maximum fitting clearances shown above. Set the hinge jambs back into the wall as shown in Step 5, to avoid the fixings breaking out of the wall



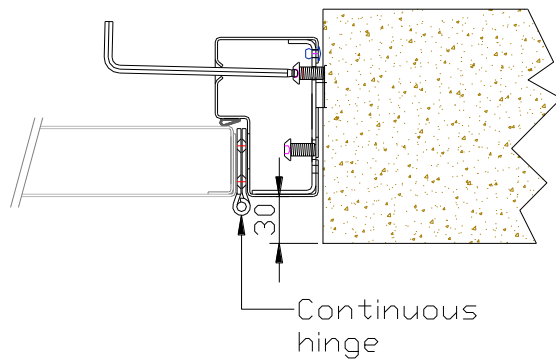
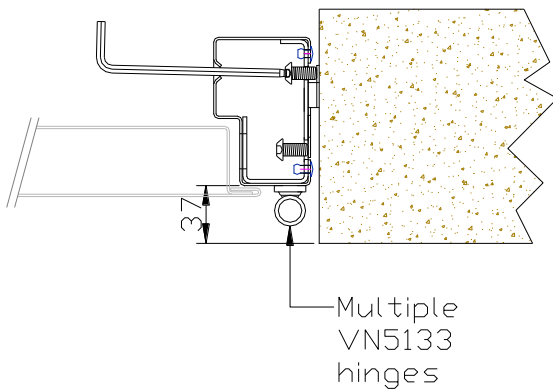
**3.** Tighten the frame adjusters clockwise, with a 5mm ball-ended Allen key, until the ends of the spreader plates are flat against the wall.

Access is gained through the countersunk holes in the jambs, angling the key 20° from horizontal.



**4.** Ensure the frame is vertical, in both planes.

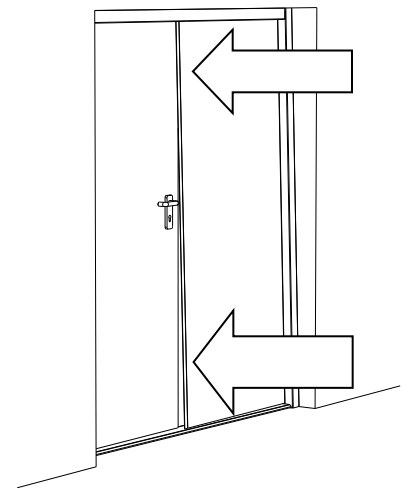
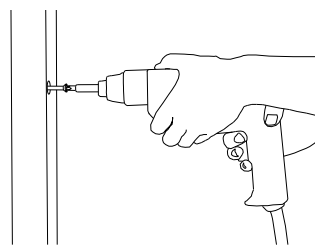
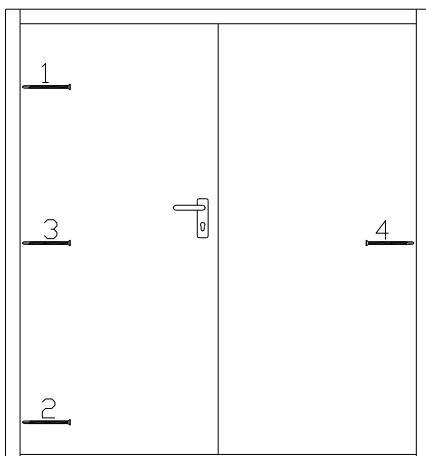
**Warning: do not open the doors until first fixings are in place, after step 6.**



**5.** To avoid the fixings breaking out of the wall later, set the jambs back these minimum distances for the relevant hinge type fitted:

- 37mm for multiple VN5133 hinges
- 30mm for continuous hinges

Keep repeating Steps 2-5 until the doorset is true in the opening.



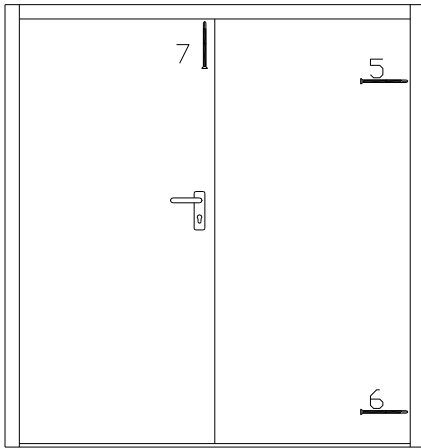
**6.** Using long countersunk frame fixings, first fix as shown, with 3 fixings in the active leaf jamb and 1 in the fixed leaf jamb.

- For masonry, use Rawl frame fixings 8x120 or similar.

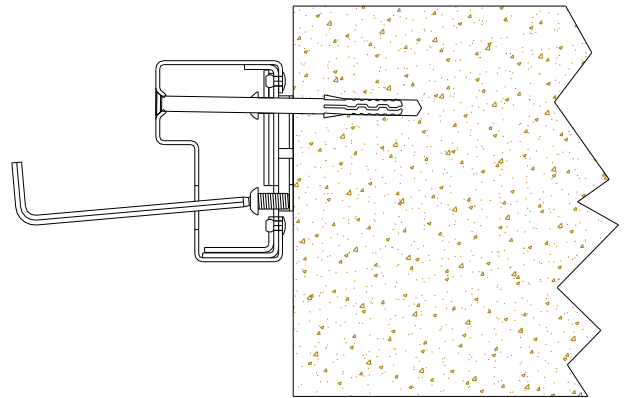
Vibration from a hammer drill can loosen the frame adjusting screws, so re-check tightness of the adjusters prior to inserting masonry fixings.

**7.** Open the doors, discard the transit packings, then close and bolt the fixed leaf. With the active leaf nearly closed, check the alignment between the active leaf lock edge, and the slam bar frame seal, at both the top and bottom of the doors.

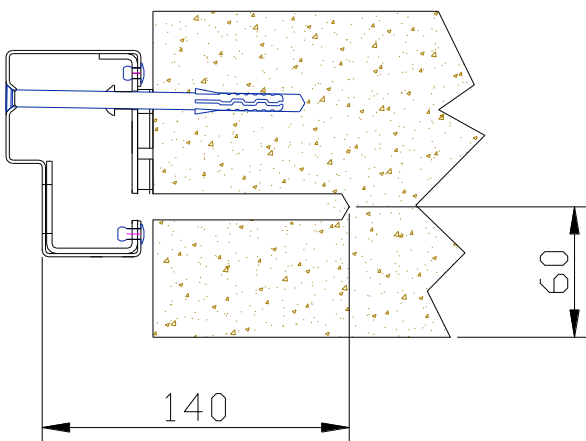
Pivot the fixed leafs' hinge jamb about the central fixing to achieve an even gap between the face of the active leaf and the slam bar seal.



**8.** Close the active leaf again, then fit the last 2 fixings into face 5 of the fixed leaf jamb and 1 into the head.

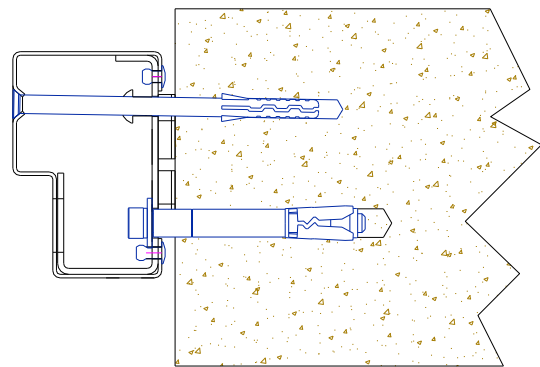


**9.** Open the door fully, then tighten the frame adjusters in the reveals. Using the 5mm Allen key, tighten the frame adjusters until the ends of the spreader plates are flat against the wall.



**10.** Drill through the access holes in the reveals with a 12mm masonry bit, to a depth of 140mm.

Vibration from a hammer drill can loosen the frame adjusting screws, so re-check tightness of the adjusters prior to inserting fixings.



**11.** Insert the fixing fully, so that the washer lies flat to the frame tray. Fully tighten the screw.

- For concrete, use only the DoorTechnik supplied fixings: Rawl Safety Plus II Loose Bolt SPL-II-08090/20L, fitted with M8x90 grade 12.9 cap head screw and washer.

**12.** Fix threshold to floor with countersunk screws

- For steel, use ITW Buildex TFL 65 or similar.
- For masonry, use Rawl frame fixings 8x60 or similar.

**13.** Adjust any door closers to suit the on-site requirements. Refer to separate instruction sheet for full details.

**14.** Check operation of all locking mechanisms.

**15.** Apply mastic or flashings to seal frame to building.

**16.** Seal threshold to floor to avoid water ingress.